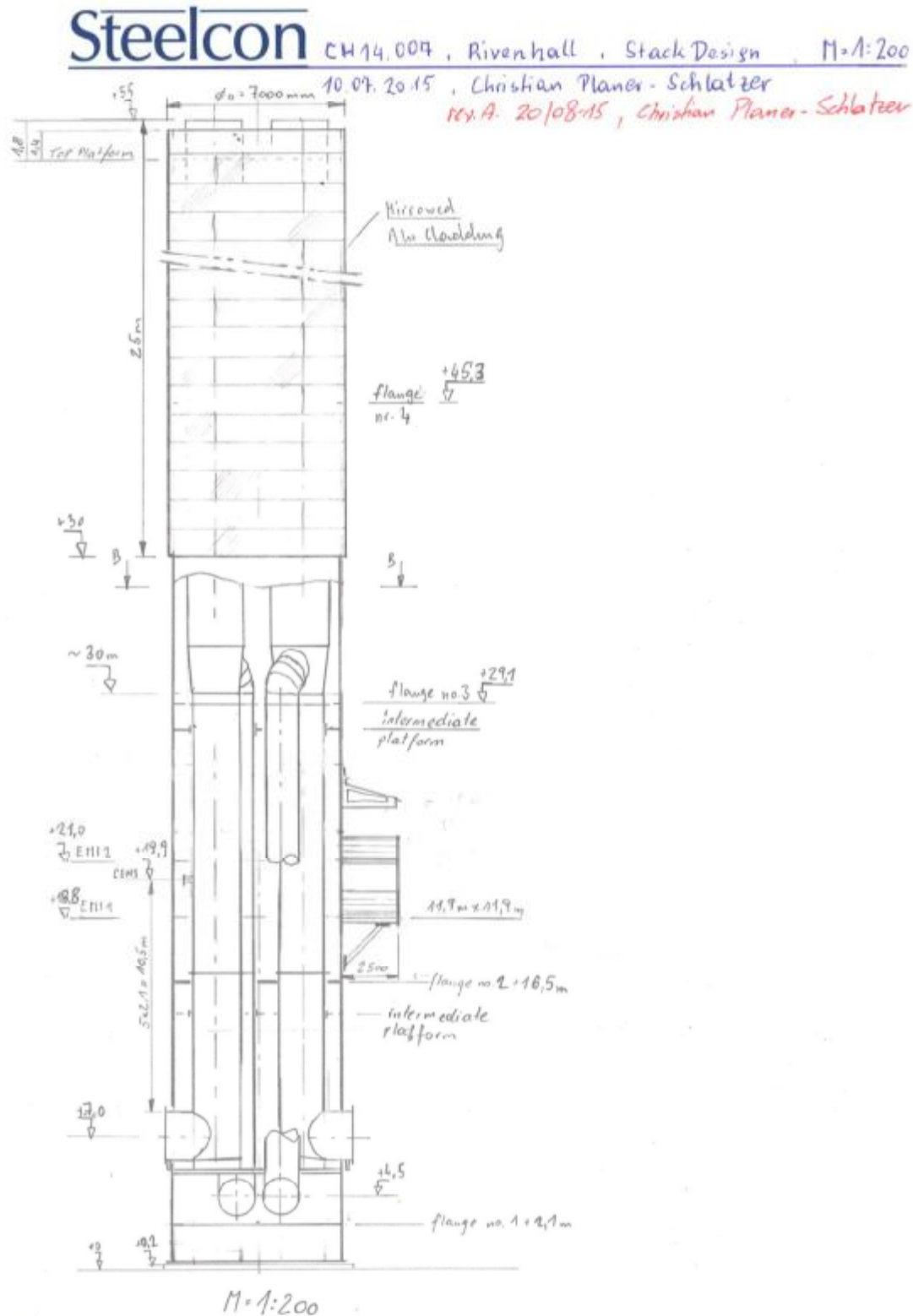
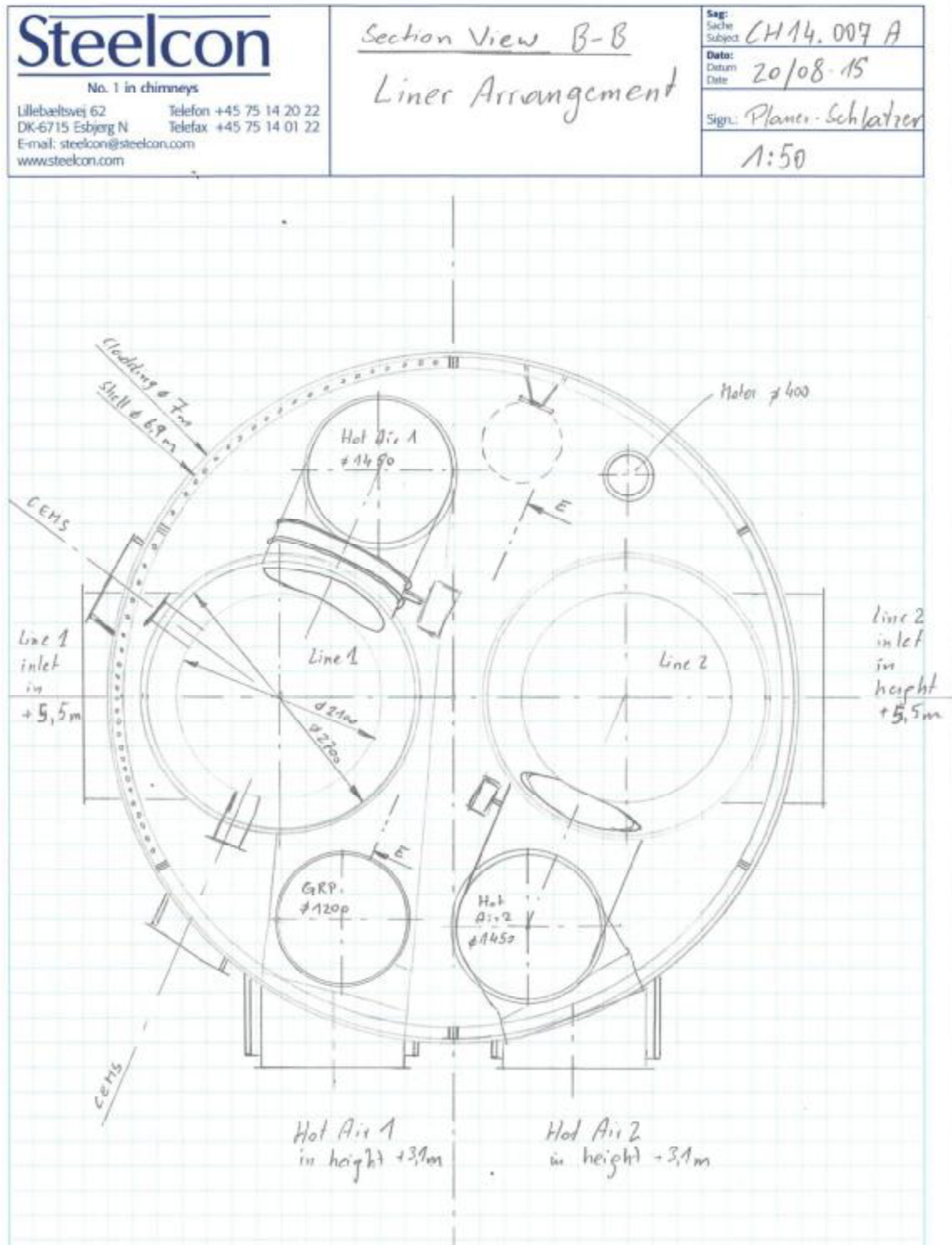


Att. 2 – Stack Layout Rev.A



Att. 3 – view B-B



Att. 4 – view E-E

