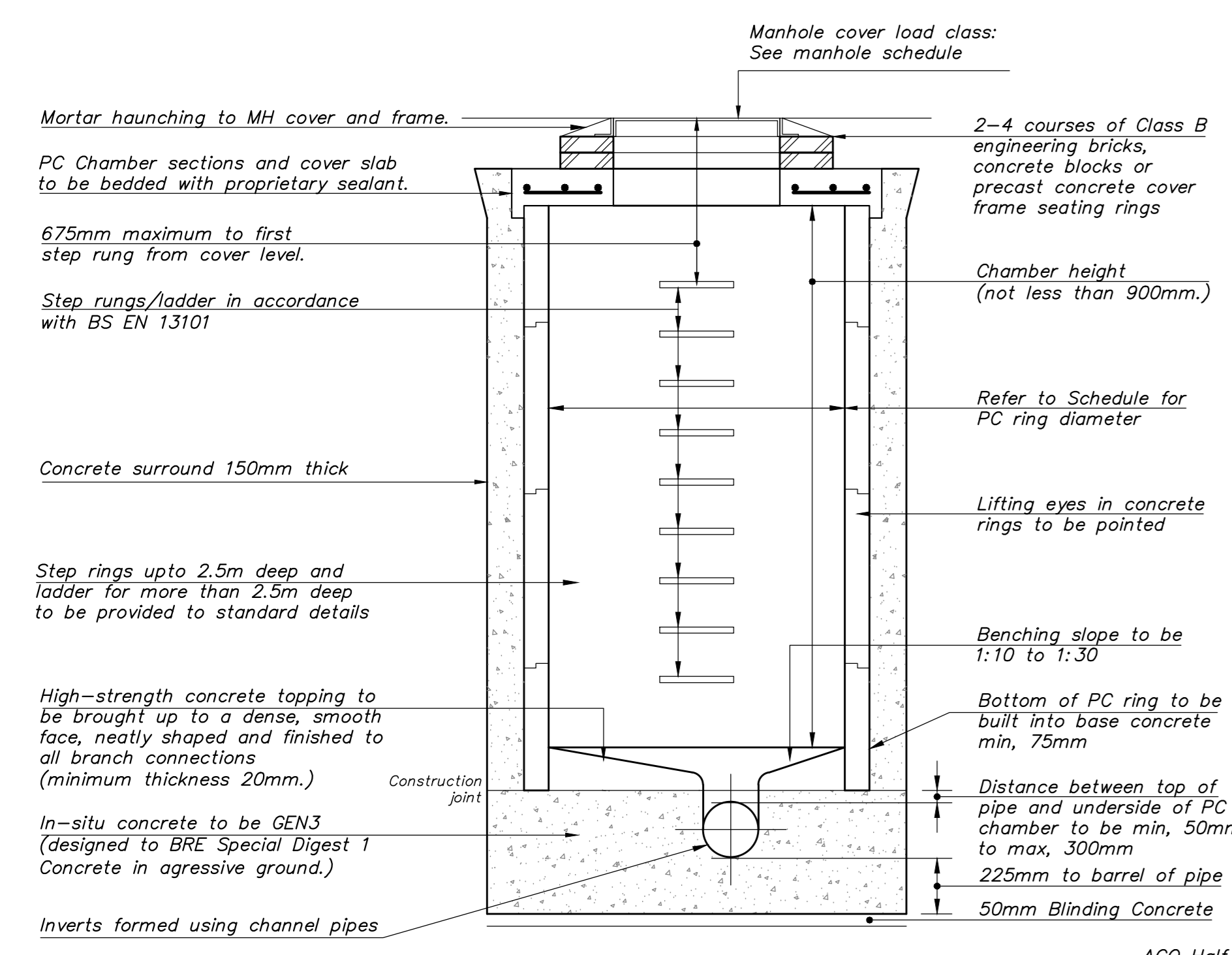
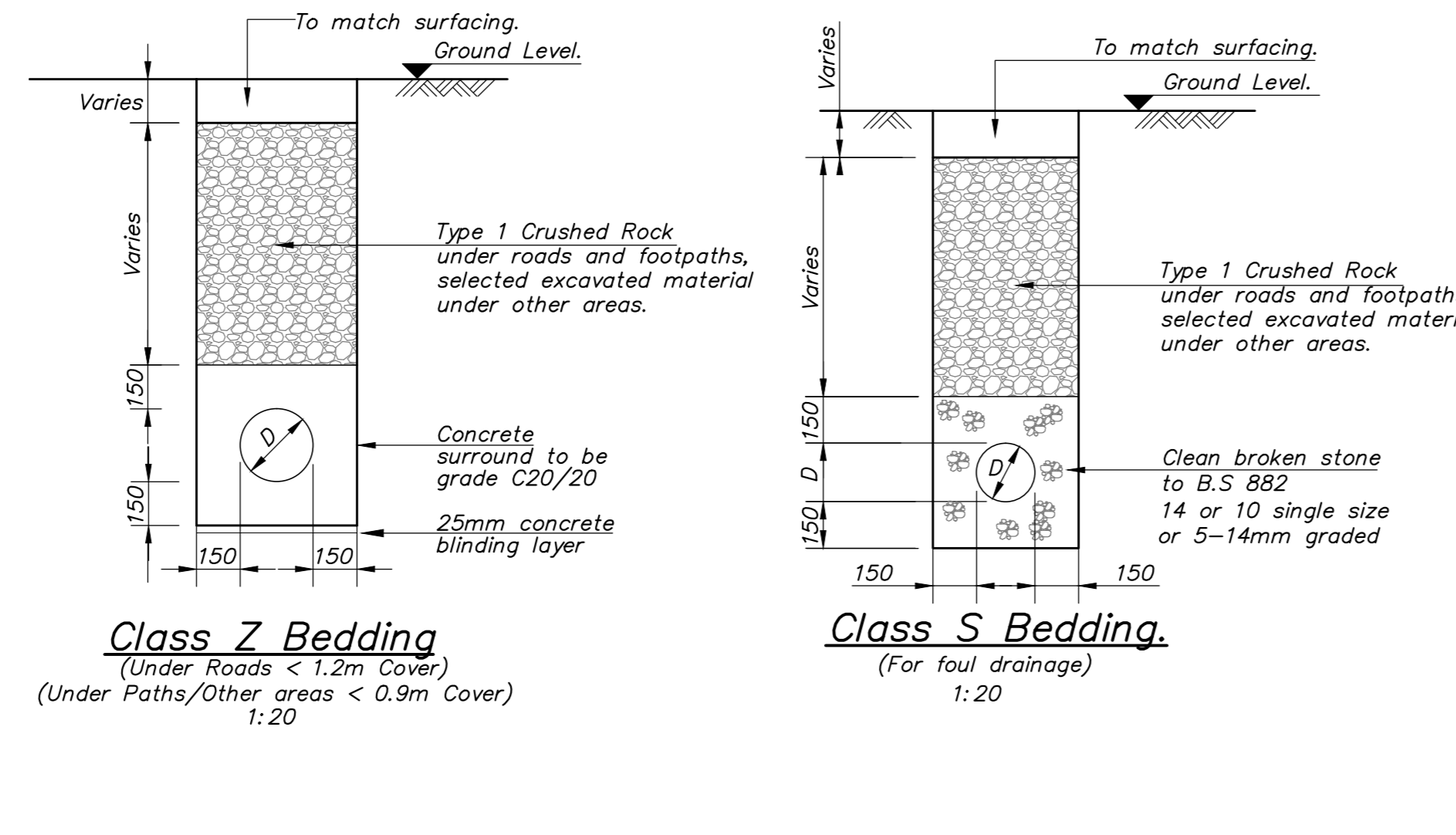


Rev	Date	By	Check	Details	Appr.
A	30.06.15	AC	AC	Drainage detail to retaining walls added	PKK

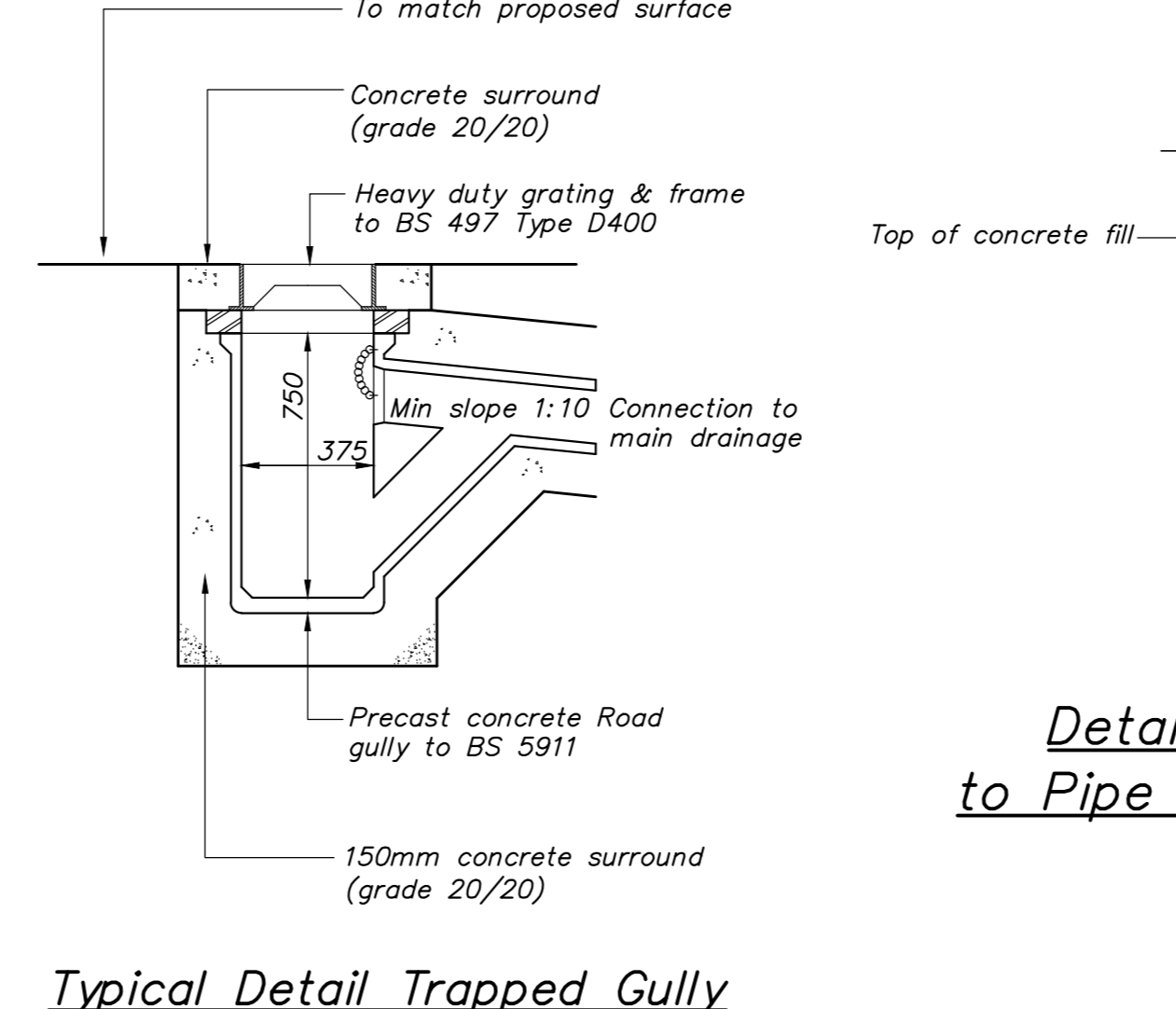


**Typical Manhole Detail - Type B**  
1:20  
Maximum depth from cover level to soffit of pipe 3.0m



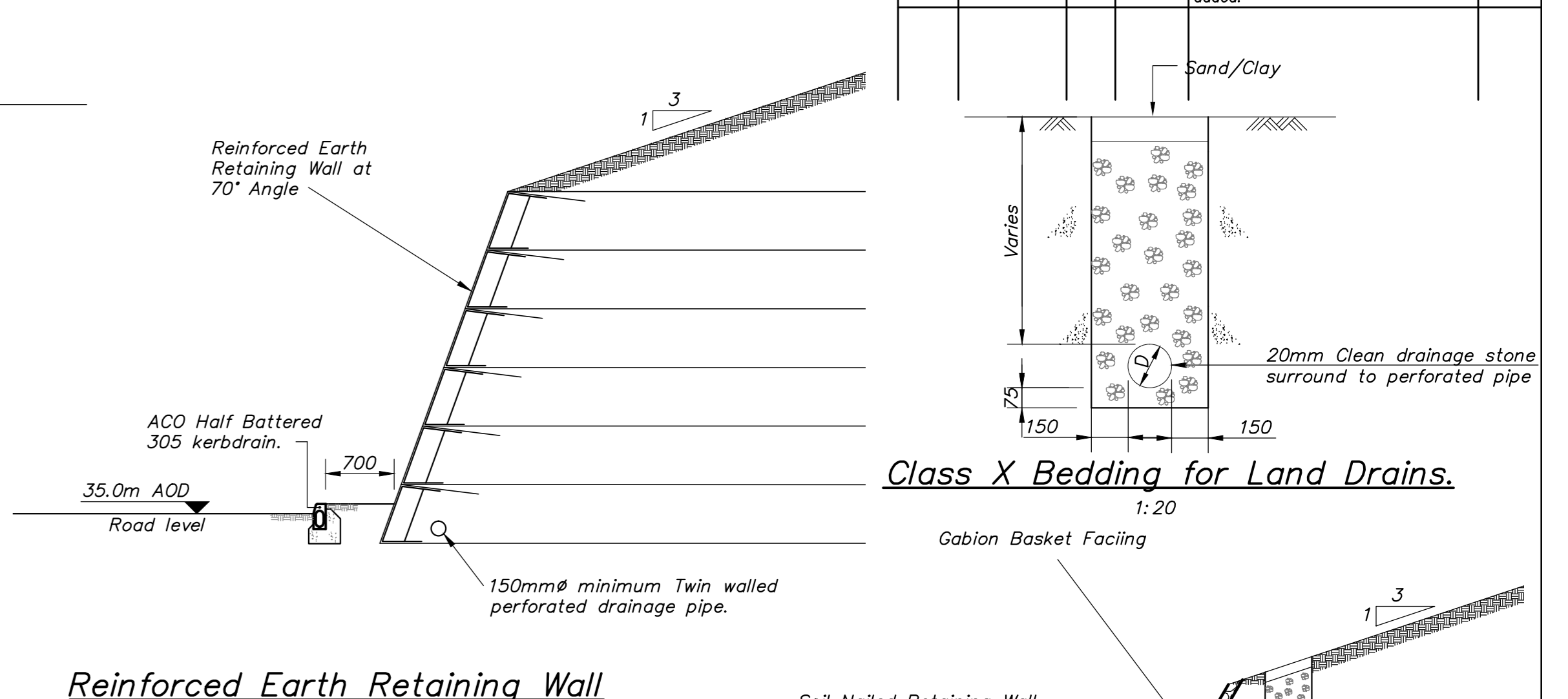
**Class Z Bedding**  
(Under Roads < 1.2m Cover)  
1:20

**Class S Bedding**  
(For foul drainage)  
1:20

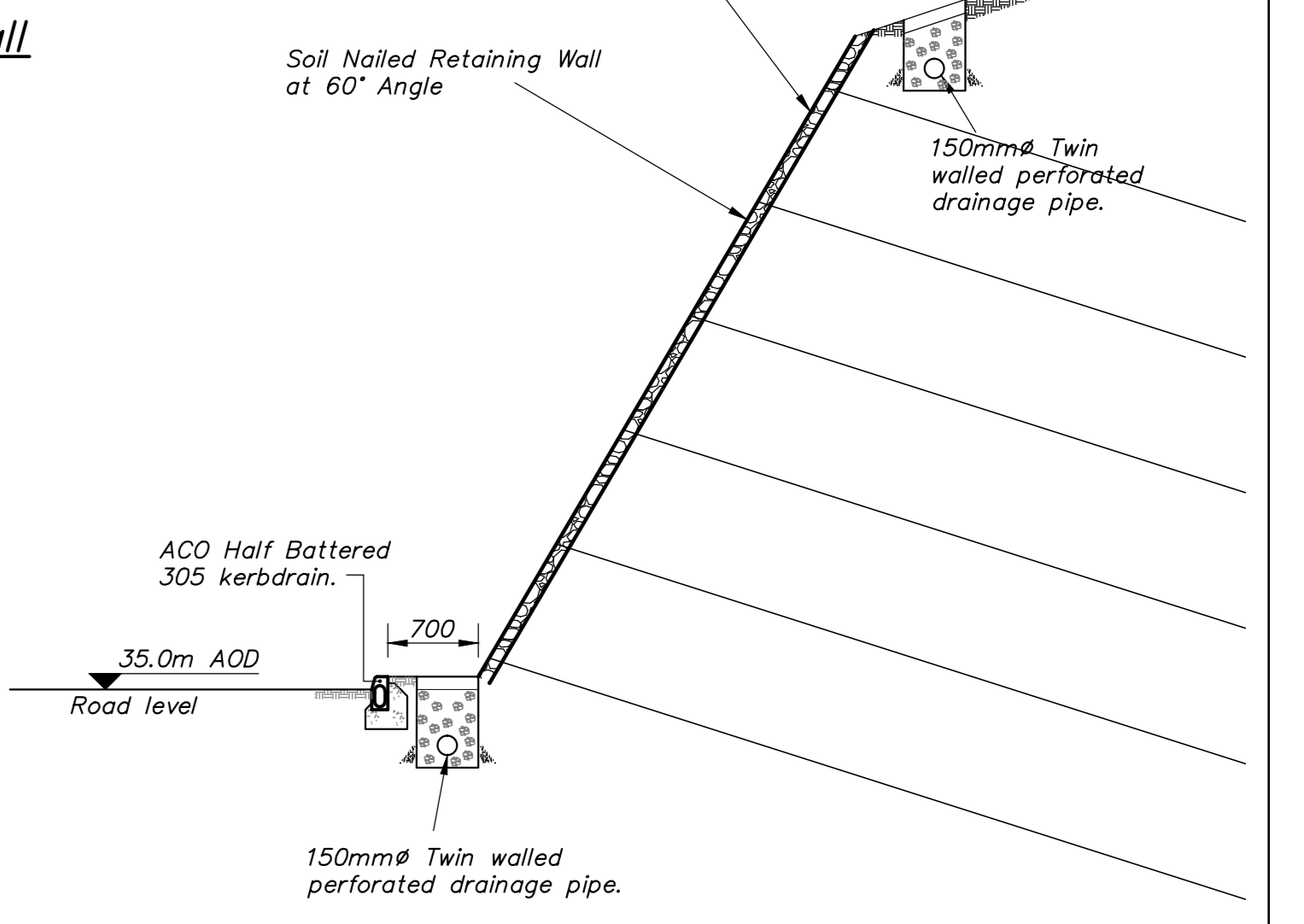


**Typical Detail Trapped Gully**  
1:20

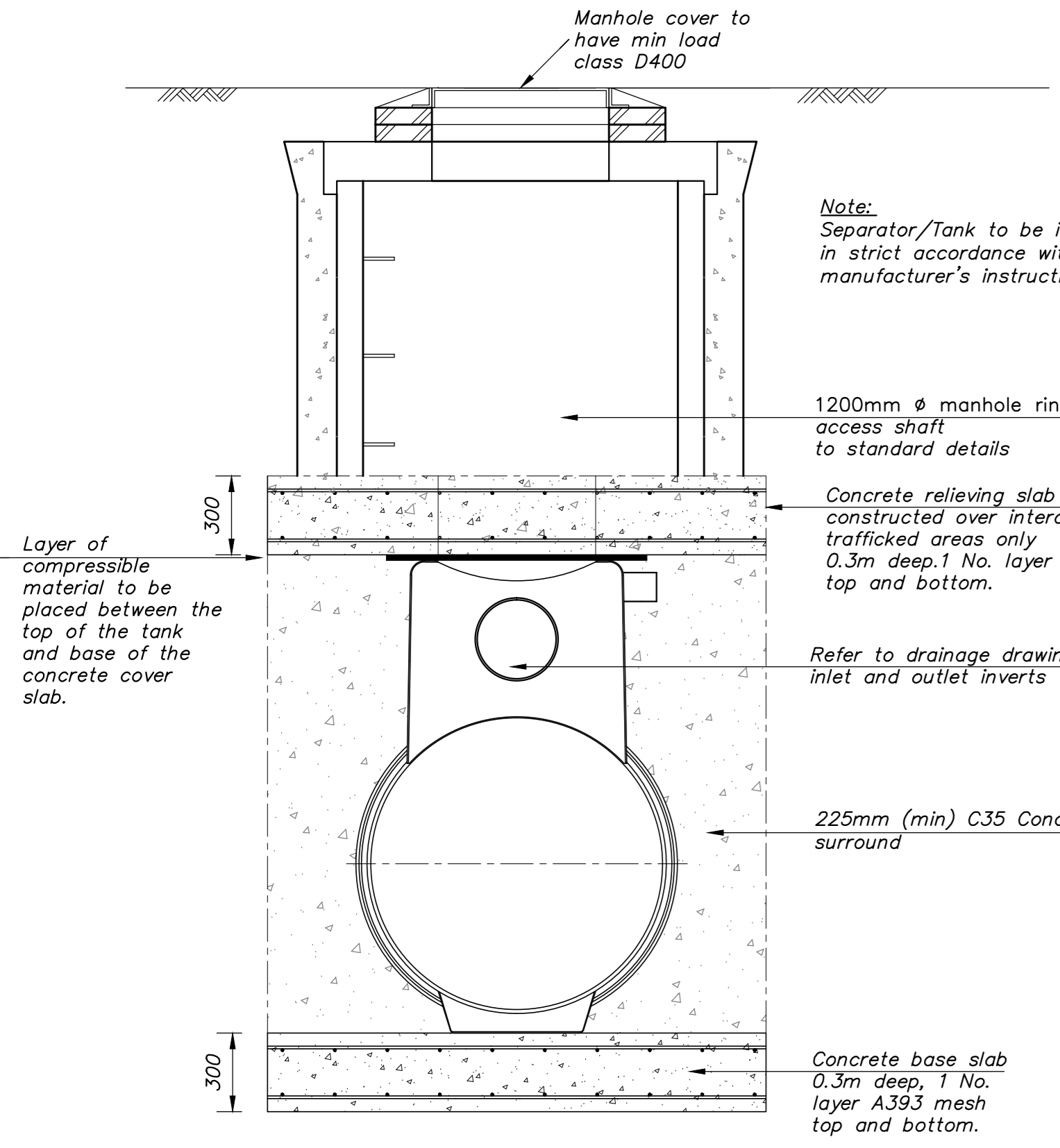
**Detail of Concrete Backfill to Pipe Installed below/Adjacent to Foundations**



**Reinforced Earth Retaining Wall Typical Section**  
1:50

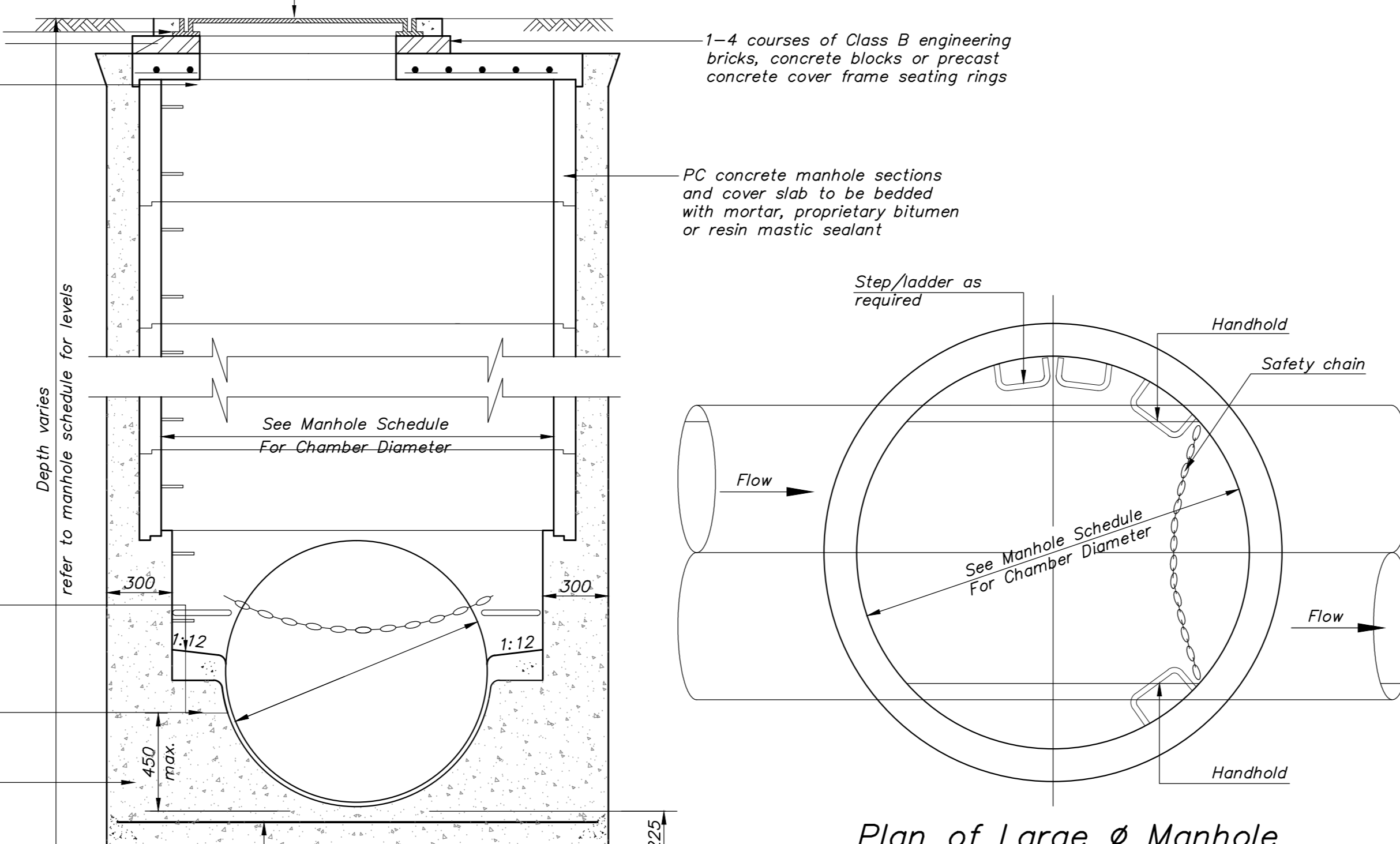


**Typical Section of Soil Nailed Retaining Wall**  
1:50

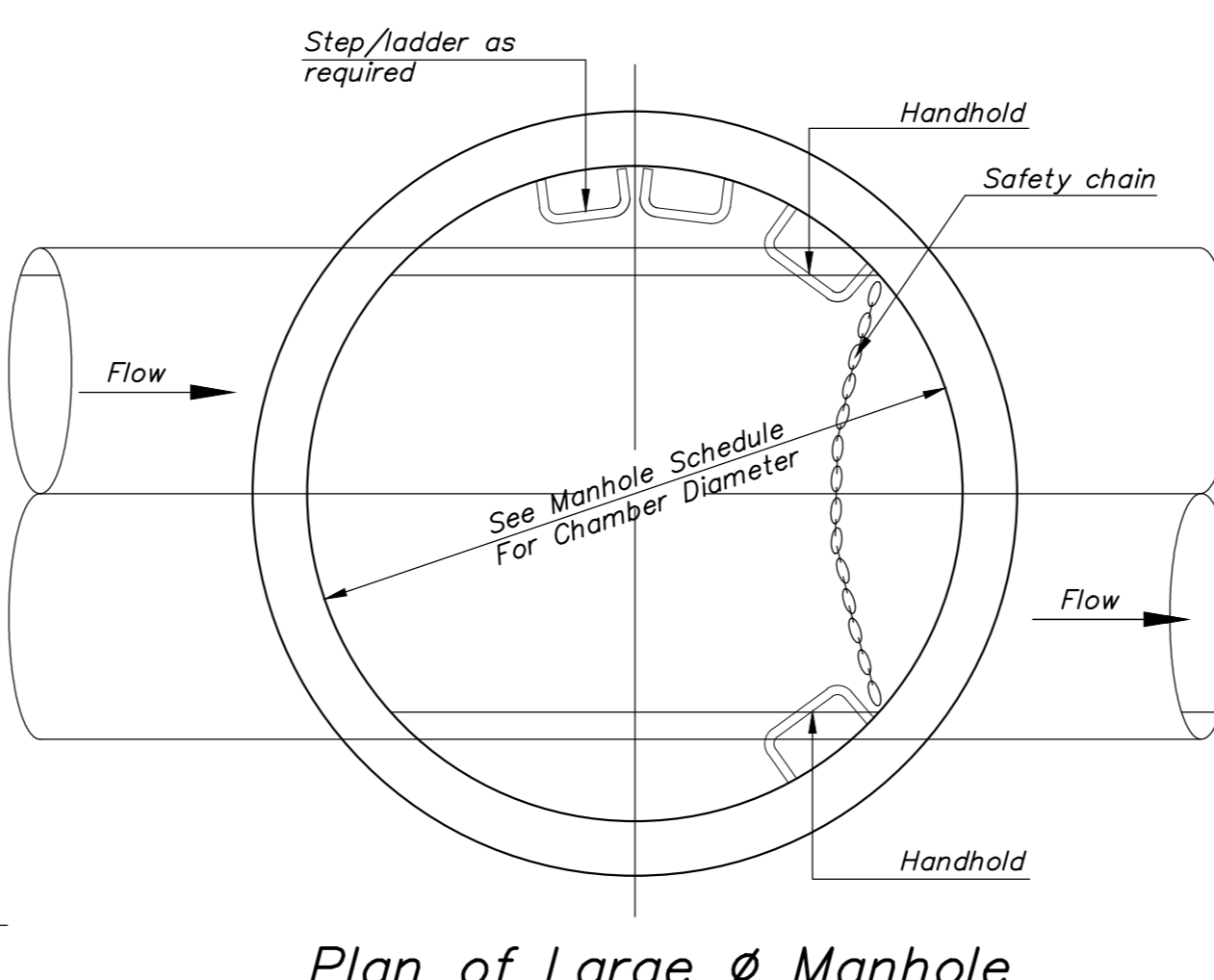


**Typical Kerbdrain Installation - Section**  
1:10

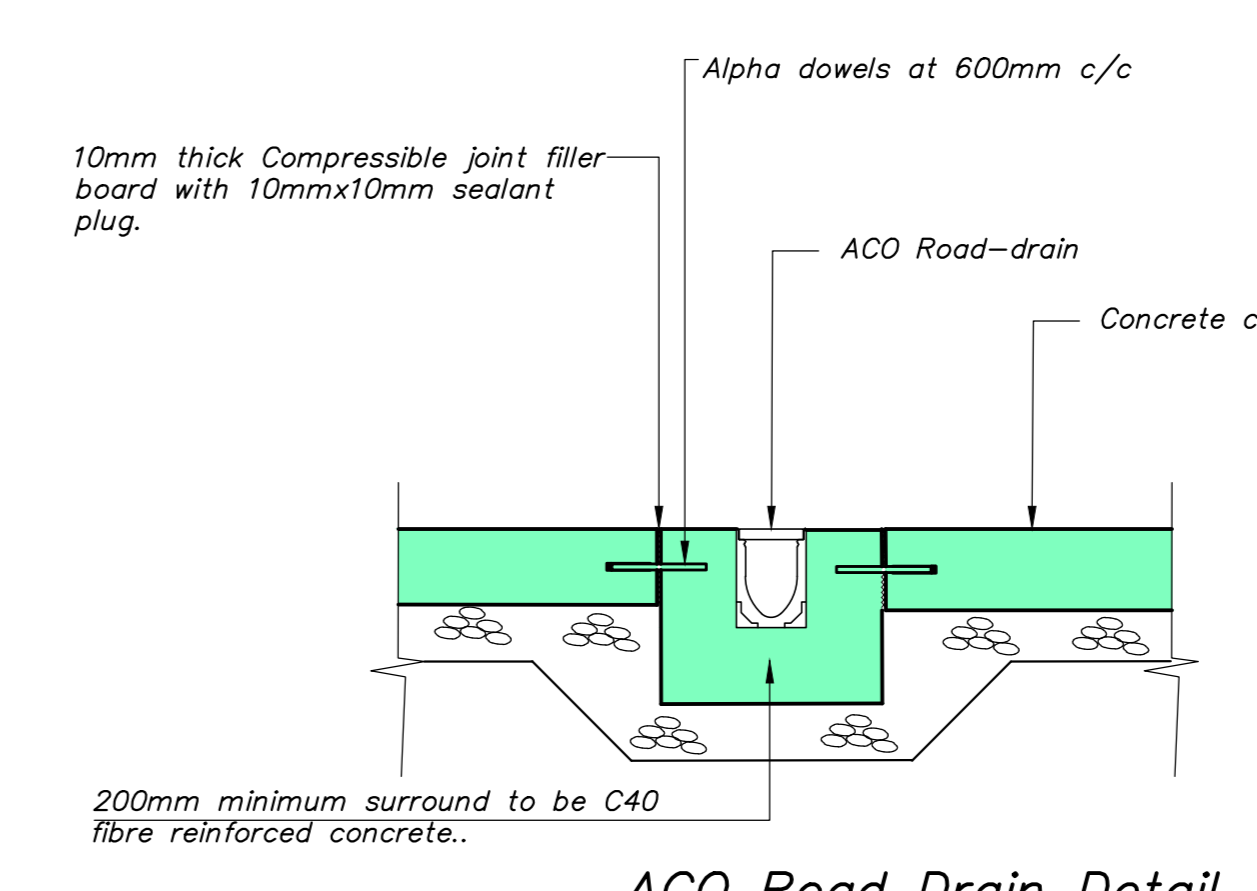
**ACO Road Drain Detail**  
1:20



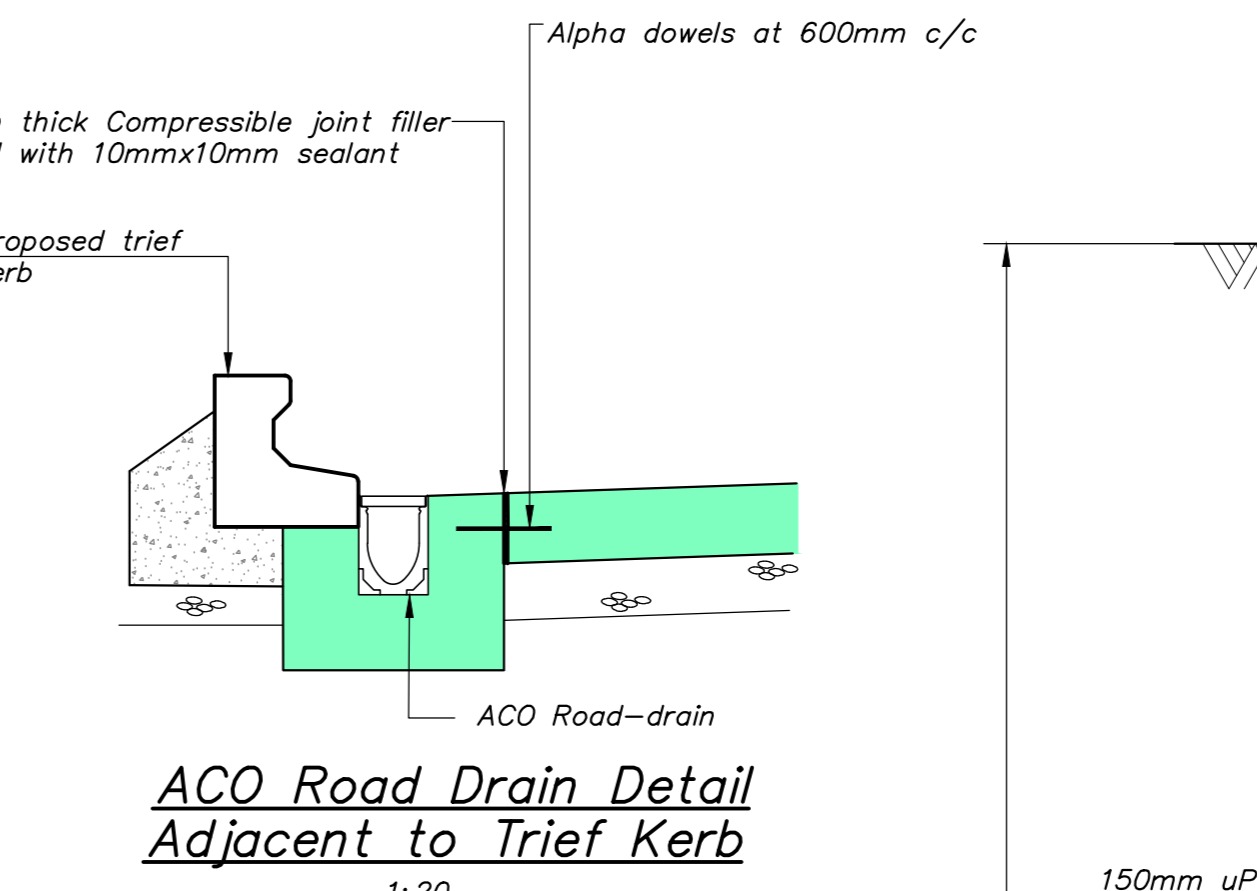
**Detail of Manhole for Large Pipes (Type M)**  
1:20



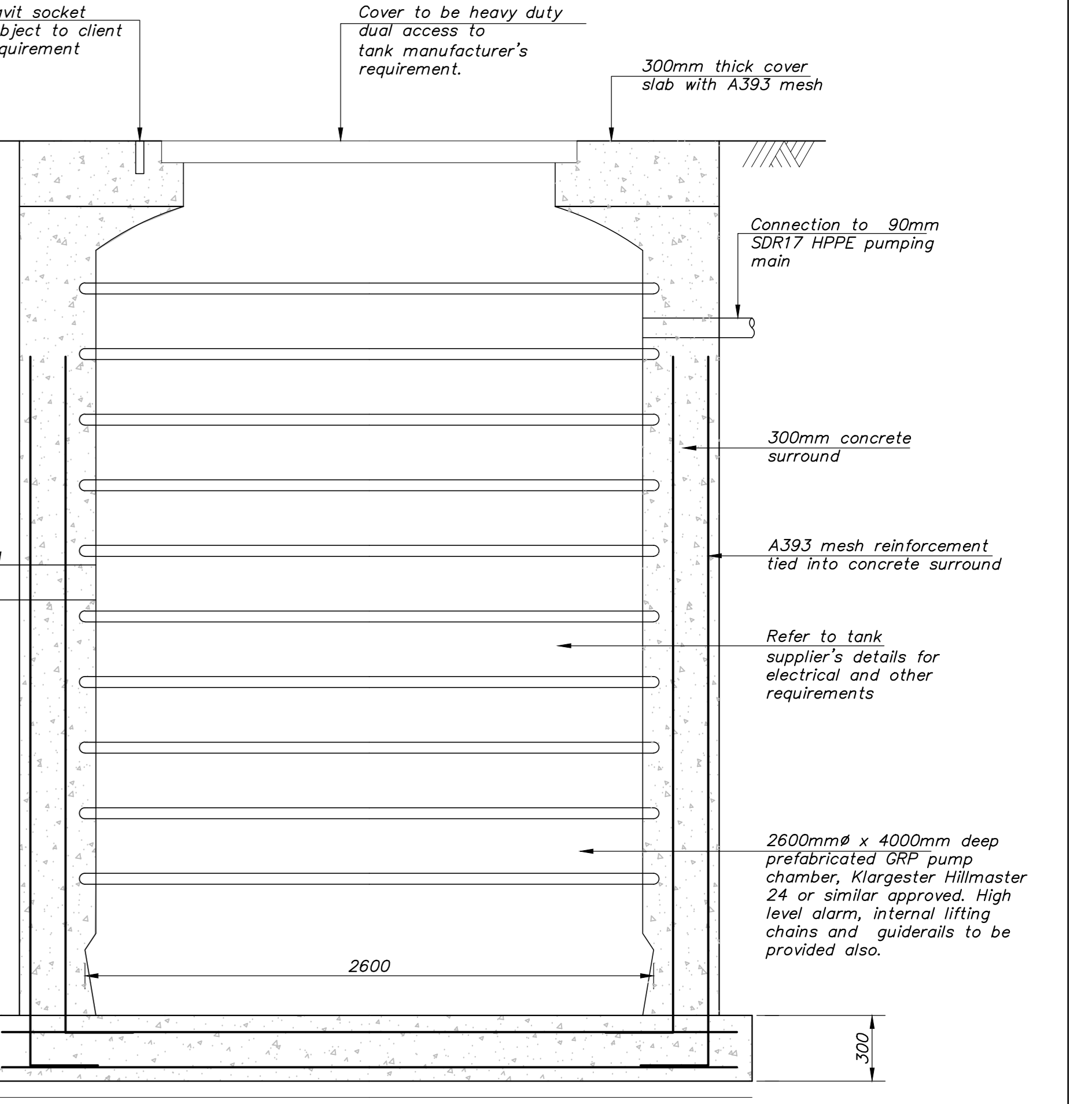
**Plan of Large Ø Manhole**  
1:20



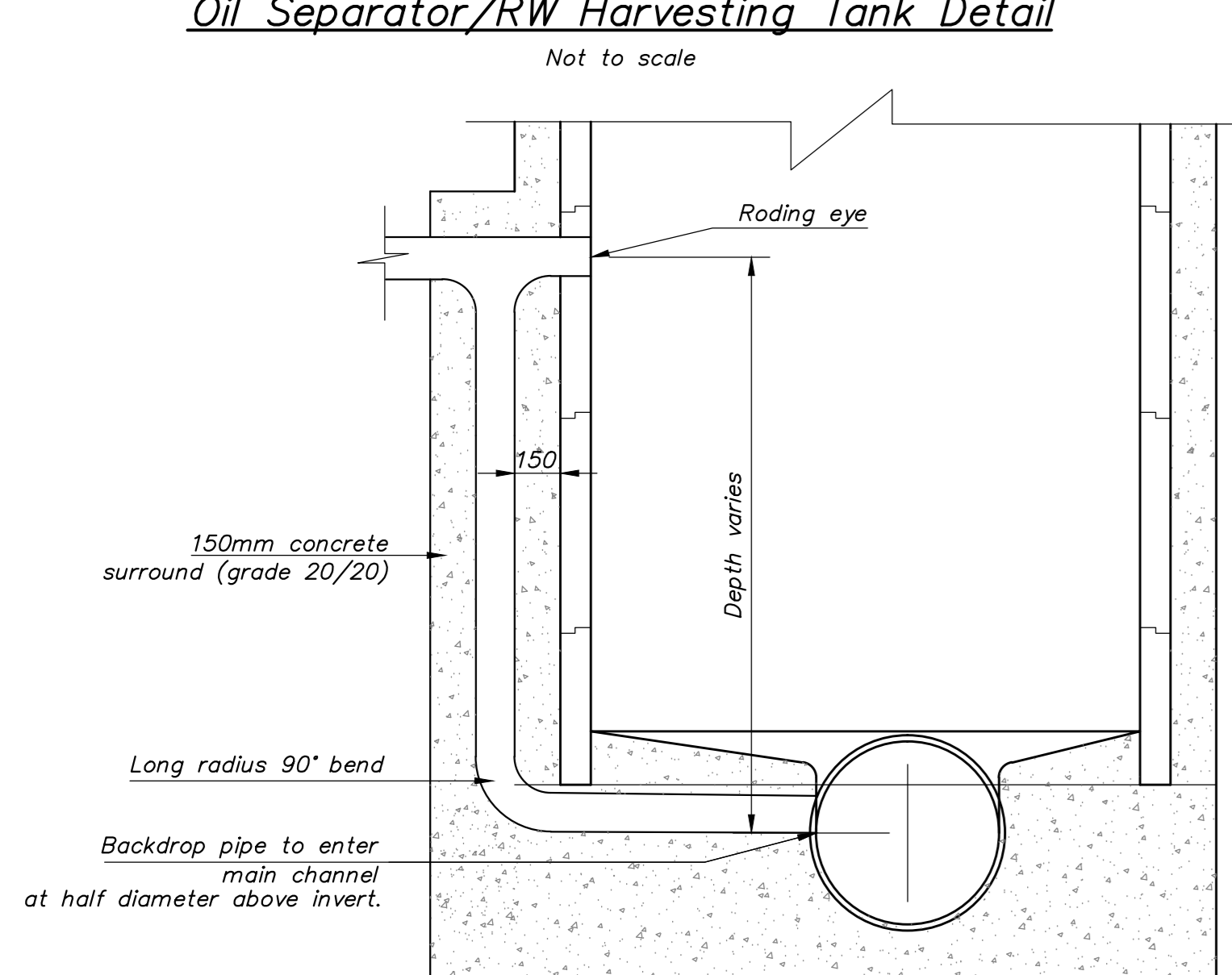
**ACO Road Drain Detail**  
1:20



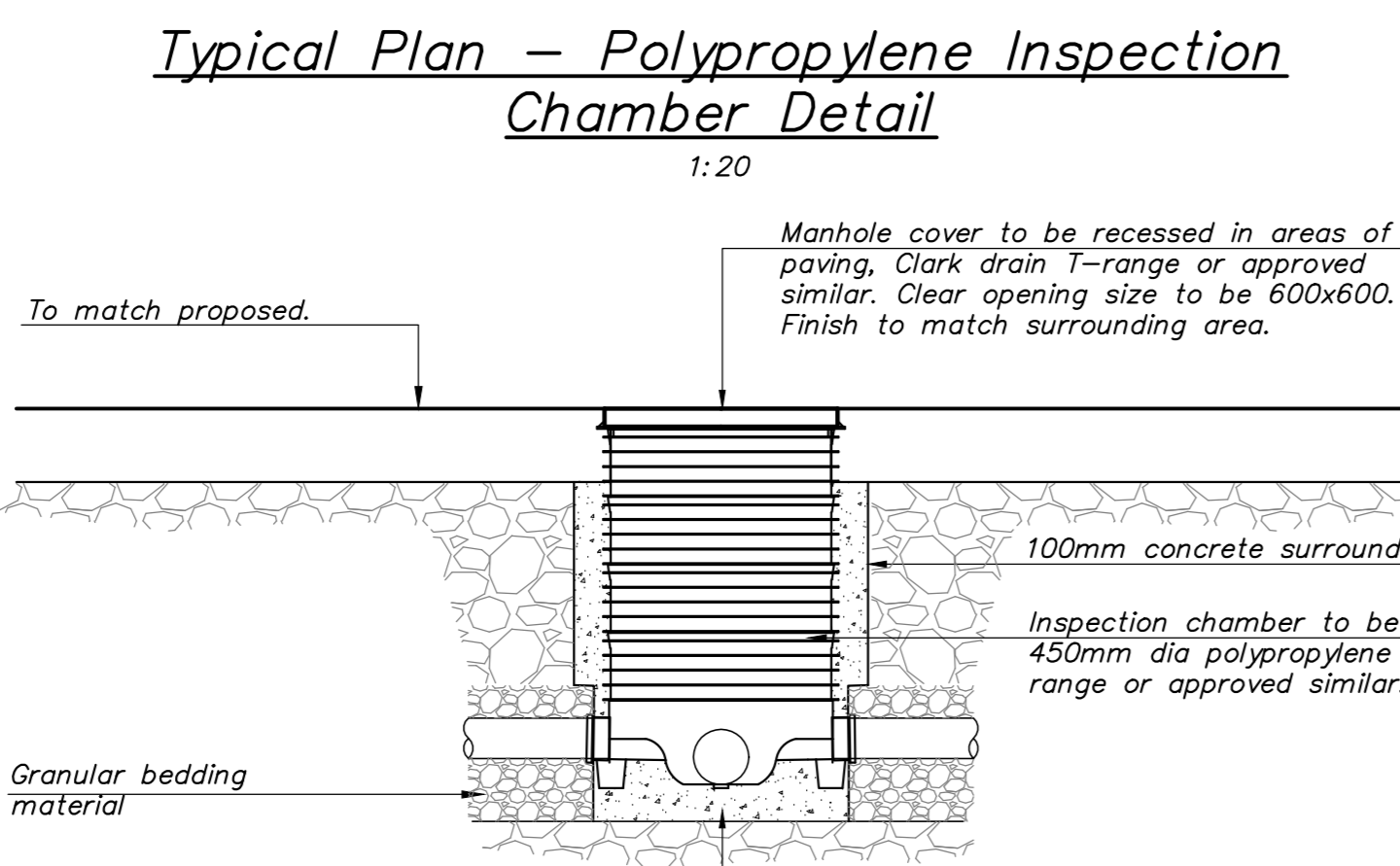
**ACO Road Drain Detail Adjacent to Trief Kerb**  
1:20



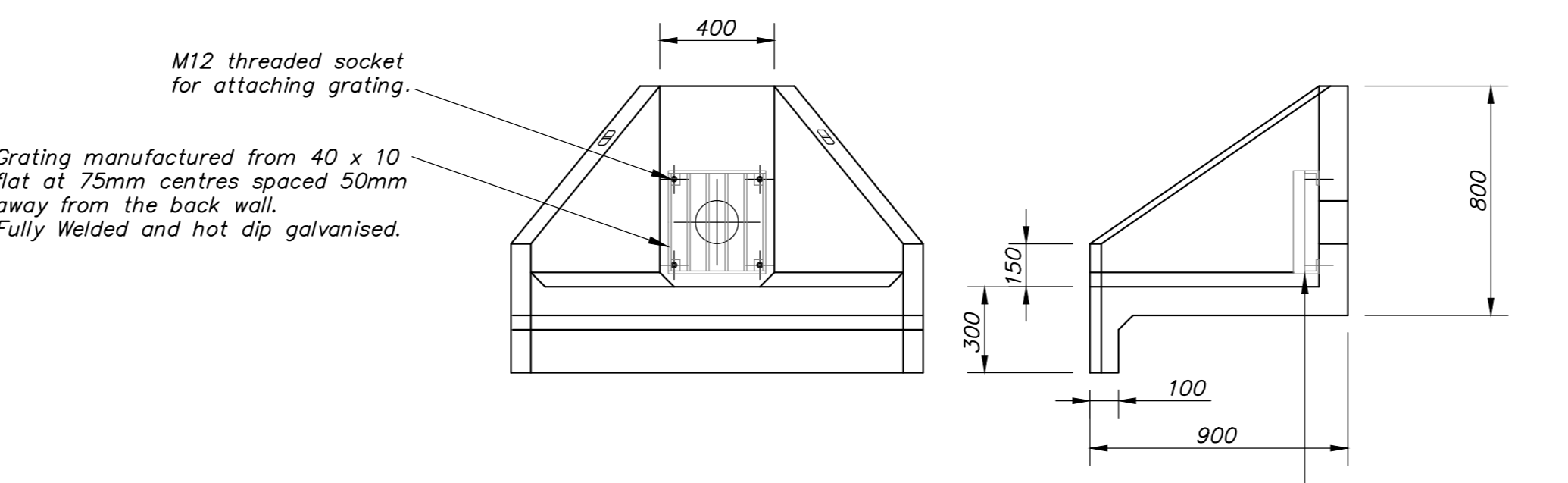
**Typical Section of Proposed Packaged foul Pumping Station**  
Scale 1:20



**Detail of External Backdrop Manhole**  
NTS 5000

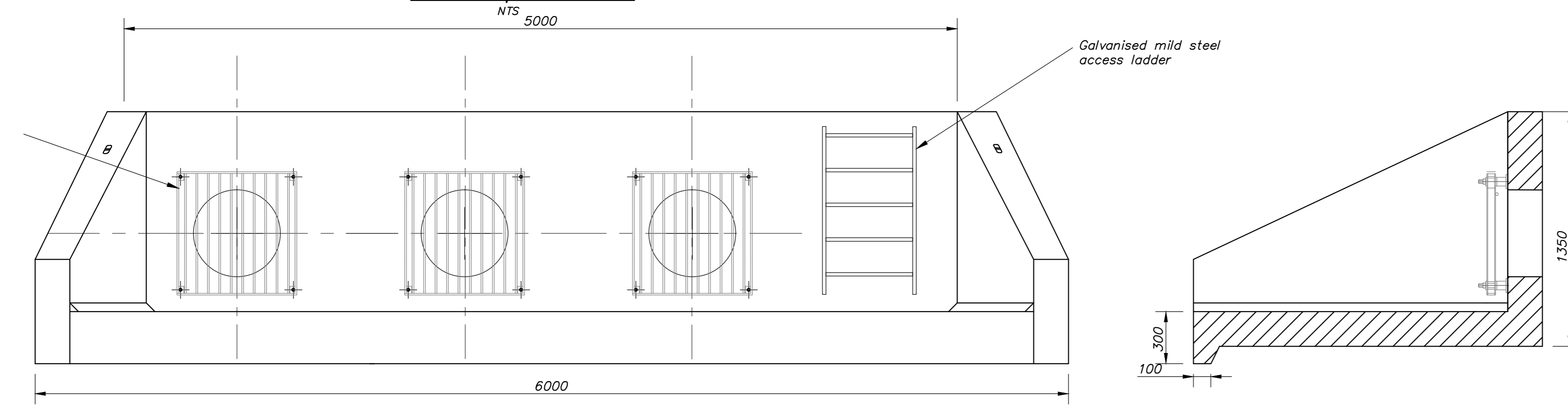


**Typical Section - Polypropylene Inspection Chamber Detail**  
1:20

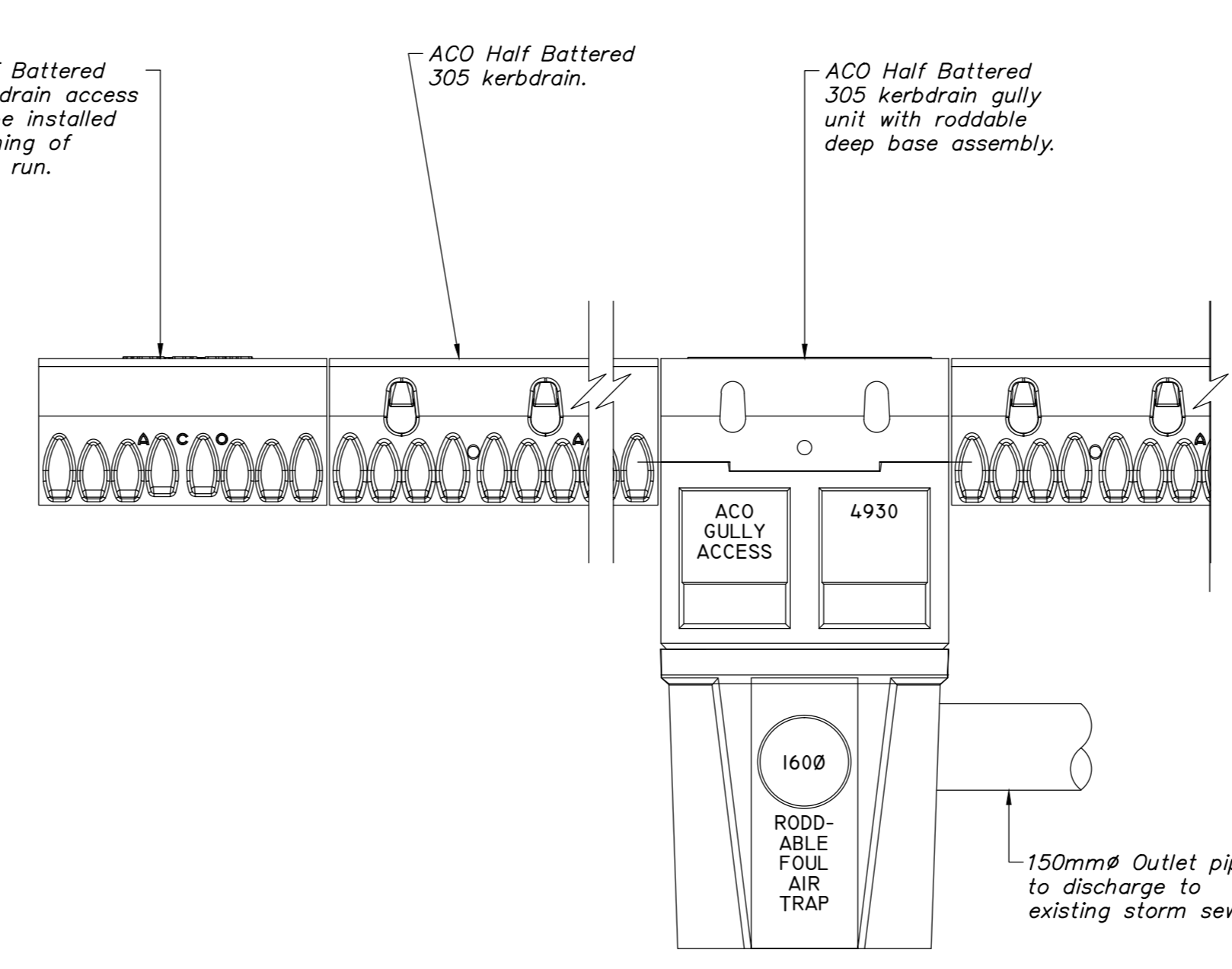


**Precast Headwall Detail - 150Ø pipe.**  
1:20

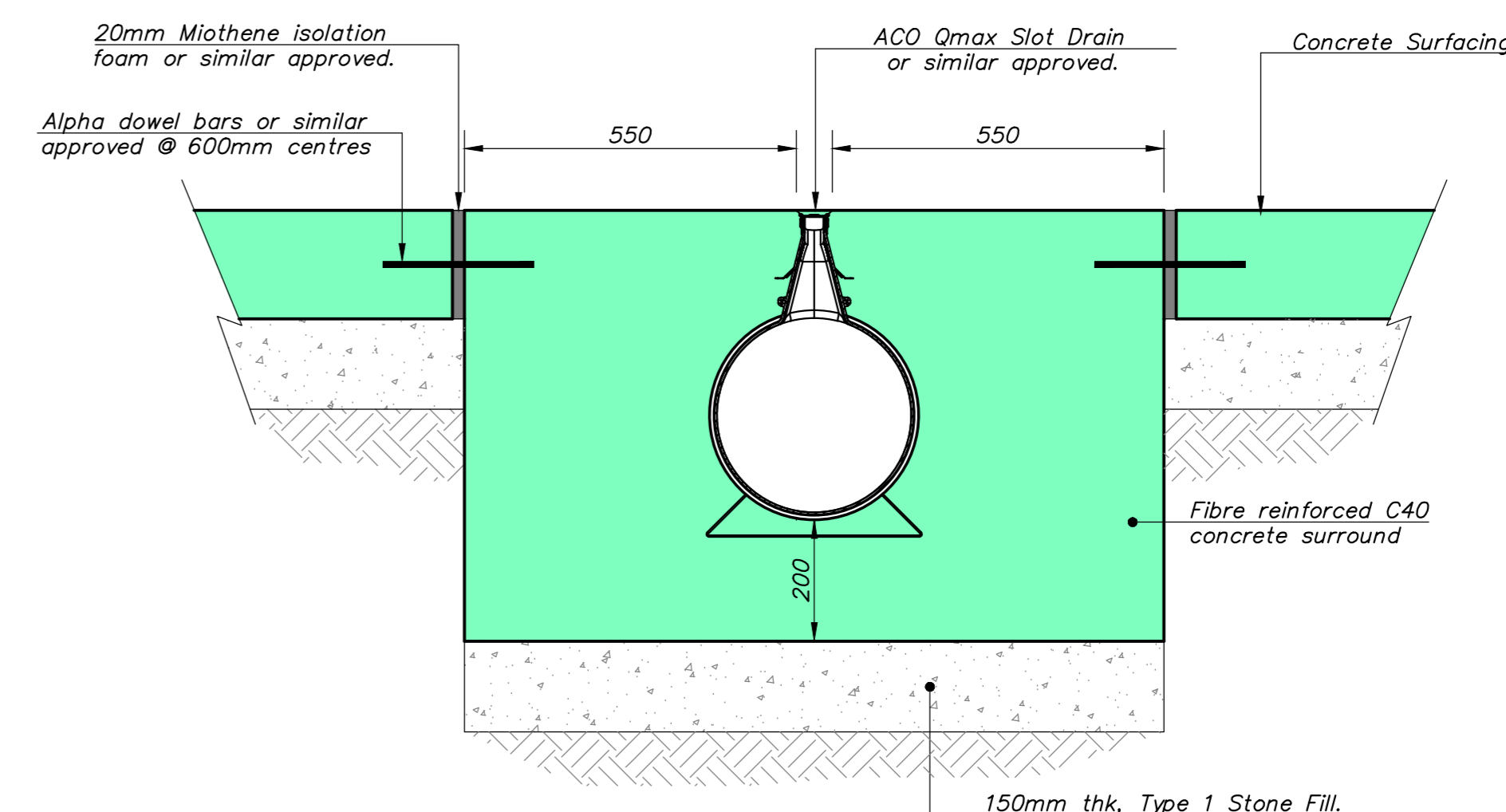
**Bedding to sewers below or within 1m of foundations**  
1:20



**Headwall Detail - 300, 500/600mmØ pipes.**  
1:20



**ACO Kerbdrain Installation - Elevation**  
1:10



**Typical ACO QMax Drainage Channel**  
1:10

**PRELIMINARY DRAWING**

Project Title:  
**RIVENHALL IWMF ESSEX**

Drawing Title:  
**Drainage Construction Details**

Client/Architect:	LAGAN CONSTRUCTION	Date:	Sept 2014
Drawn by:	HJD	Scale:	as shown
Checked by:	DNF	Sheet:	A1
Approved by:		Drawing Number:	

Project Number:	Orig.	Zone.	Level.	Type.	Disc.	Number.	Revision.
142064	DC	-	-	GA	C	111	A

**Lagan** **Doran CONSULTING**  
DELIVERING ENGINEERING EXCELLENCE