

Condition 15

Condition 15 Cladding Design and Finishes

No development shall commence until design details and samples of the external construction materials, colours and finishes of the external cladding of the IWMF buildings and structures, and design and operation of the vehicle entry and exit doors, have been submitted to and approved in writing by the Waste Planning Authority. The development shall be implemented in accordance with the details and samples approved.

Reason: For the avoidance of doubt, in the interests of visual and landscape amenity and to comply with WLP policies W8A, W10B, W10E and BCS policy CS5 and BDLP policy RLP 90.

Design Details

Item 1: GLASS CURTAIN WALLING

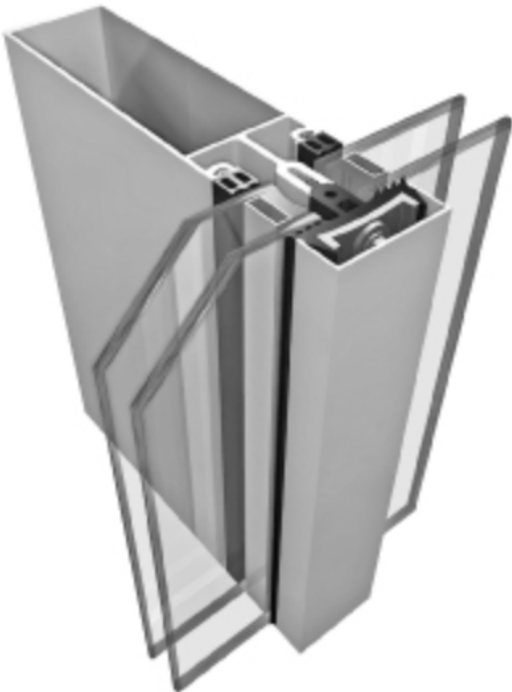
Location: Gable End of Hangar

The upper gable ends located at the north western side of the IWMF hangars will be clad with a glass curtain walling system such as metallic powder coated curtain walling system (Metaltech System 17 High Rise Curtain Walling double glazed or similar).

The glazing will extend as shown on Drawing 213003/130-B.

The system will incorporate matching external flashings with a coated finish to match the cladding and Internal pressed metal flashings.

All metal elements to be PPC coated and the colour of the finish is to be white.





NOTE: The glazing panels proposed for the IWMF will have each glazing panel set horizontally rather than vertically as illustrated above.

Item 2: COMPOSITE METAL PANELS

Location: Main Hangar Areas including the CHP Facility and associated buildings:

The external face of the Main Hangars will be clad using a composite metal cladding panel system such as "Rockspan" or similar approved.

The proposed wall cladding system will utilise Eurobond Rockspan composite panels, in a combination of vertically and horizontally spanning applications. It is proposed that vertically spanning panels will be used on the lower elevations, with horizontally spanning panels used on the upper elevations above the louvre line on the gable walls and boiler hall elevations. This panel system has been selected due to its superior structural span

capacity (thus minimising the need for internal secondary steelwork), superior acoustic performance, and inherent fire resistant capabilities.

The vertical composite metal facade panel shall be erected in a 1200mm wide modular grid, with a smooth external profile, incorporating a 'secret' fixing detail. The overall thickness of the panels will be subject to detailed design with respect to acoustic properties, thermal and fire requirements.

The heights of the vertical metal cladding panels will generally be 12m but will extend up to 17m, supported on the structural steel frame as required. Cladding materials to the building will be predominantly dark to reduce the overall impression of the mass of the building by grading the colours up its elevation, with the darkest colour (e.g. 'Anthracite' in the Colorcoat HPS200 Ultra range) above the blockwork plinth, grading through to Slate Grey midway, and a lighter colour below the roof line (e.g. 'Alaska Grey').



Typical Eurobond Panel Application

With reference to Colorcoat Prisma Colourcard, the cladding will be: Anthracite, Slate Grey and Alaska Grey.

Item 3: ROLLER SHUTTER DOORS

Location: Main Hangar Areas including the CHP Facility and associated buildings

Access to and from the IWMF (and various internal recycling and treatment areas) will be through fast opening steel roller shutter doors - such as 'Titan 1' electrically powered roller shutter door (or similar) - with powder coated paint finish Chocolate Brown RAL 8017.

Design and operation details of the vehicle entry and exit doors are presented within the Cooks - Titan 1 Door Data Sheet 2014.

Drawings

Drawing 213003/130-B

Samples

Samples of the external construction materials indicating the colours and finishes of the external cladding of the IWMF buildings and structures are included within the Submission of Details against Condition 15:

Tata Steel Colorcoat Prisma: 1 x White; 1 x Chocolate; 1 x Anthracite; 1 x Slate Grey; and, 1 x Alaska Grey.