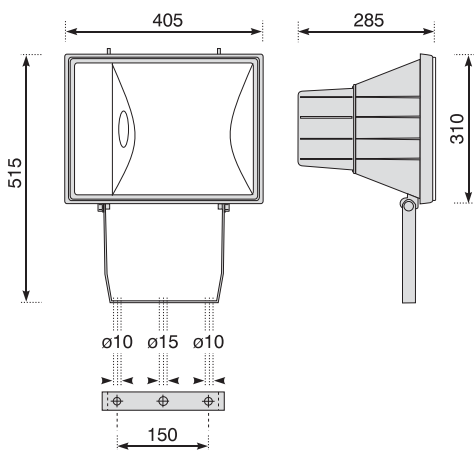


Rio
rio



A general purpose economy range of robust floodlights with symmetrical reflector. Available in a wide range of lamp technologies including metal halide, high pressure sodium (SON) and high pressure mercury (MBF). Optional photocell on request. Suitable for sports areas, car-parks, marshalling areas, high security areas and construction sites.

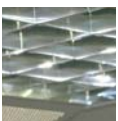
- Economy floodlight
- Die-cast aluminium body and diffuser frame
- 27° beam angle
- Robust design
- Toughened glass design
- Wide variety of lamp technologies
- Interchangeable control gear
- Dusk/dawn options
- Lamps included
- Simple installation



SPECIFICATION

To specify state the following:

An IP65 black dry powder coated die-cast aluminium body and diffuser frame. Black re-enforced polypropylene gear housing c/w plated steel gear tray. Toughened glass diffuser and two 'snap action' diffuser securing clips made from chrome plated spring steel. Black dry powder coated steel mounting bracket Symmetrical dimpled specular aluminium reflector. Choice of metal halide, high pressure sodium (SON) or high pressure mercury (MBF) lamp technologies with a 27° beam angle. High pressure sodium and metal halide control gear are complete with timed ignitor. Optional photocell available. – as Hilclare Rio.



HILCLARE LIGHTING MANUFACTURER

Unit 1, Bond Street Industrial Estate, Mancunian Way, Manchester M12 6HW

T: 0161 274 3626 F: 0161 274 3731 E: sales@hilclare.com

HILCLARE
LTD
LIGHTING MANUFACTURER

Materials and Design

Black, dry powder, die-cast aluminium body and front frame. 'Snap action' chrome plated, spring steel diffuser securing clips and plated steel gear tray. A toughened glass diffuser, black re-enforced polypropylene gear housing, black dry powder coated 4.6mm steel mounting bracket and plated steel gear tray.

Installation

The Rio can be wall mounted via the black dry powder coated steel mounting bracket at the base of the fitting. There are two 11.0mm securing holes 75.0mm either side of the centre of the bracket and a 14.0mm hole in the centre. An adjustable corner bracket (available on request) can be used in conjunction with the dry powder coated steel mounting bracket.

Electrical

Cable entry to the body is via a 20.00m compression cable gland in the base of the polycarbonate gear housing cover. Electrical connections are made to a 3-way polyamide screwed terminal strip mounted on the gear tray. A fused screwed terminal strip can be provided on request.

Classification for Protection and Standards

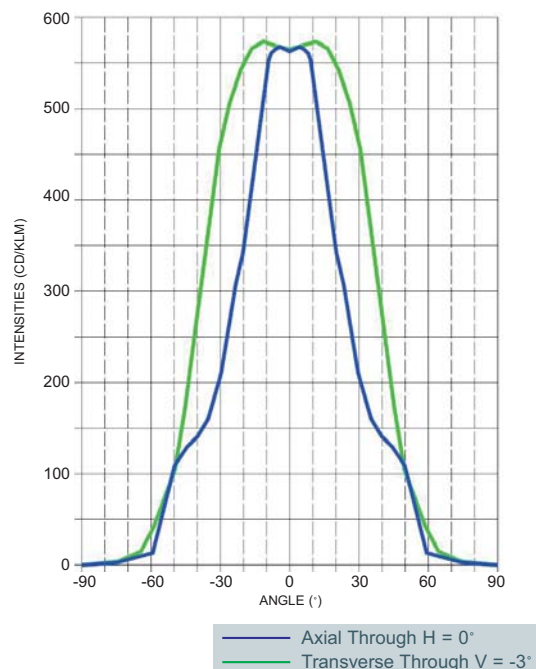
Against electric shock Class 1 protected with earthed metalwork. It is important that this product is electrically installed according to IEE regulations. Against ingress of dust and moisture IP65 Technical Specification. The Rio range of luminaires is designed and manufactured to meet the requirements of BSEN 60598 2-1.

ACCESSORIES

- Adjustable corner bracket – specify code **AFCB2**.
- Front wire guard* – specify code **AFRWG**.
- Barn door* – specify code **AFRBD**.
- Adjustable horizontal glare louvre* – specify code **AFRLV**.
- Glare baffle* – specify code **AFRGB**.
- Polycarbonate dished diffuser (used in conjunction with the toughened glass diffuser, for interior use only)* – specify code **AFRDDC**.
- Wire cage – specify code **AFWC2**.
- Coloured lamps available on request.

*Not suitable for retro-fitting

Photometry



Product Code: AFRS250TL

Lamp: 250W SON-T

Light Output Ratios: Up: 0.00 Down: 0.70 Total: 0.70

		Code	Weight (kg)	Windage
150W	SON-E fitting c/w integral gear, timed ignitor & lamp	AFRS150TL	10.0	0.126 m ²
250W	SON-E fitting c/w integral gear, timed ignitor & lamp	AFRS250TL	10.2	0.126 m ²
400W	SON-E fitting c/w integral gear, timed ignitor & lamp	AFRS400TL	10.5	0.126 m ²
250W	MBF fitting c/w integral gear & lamp	AFRM250L	9.0	0.126 m ²
400W	MBF fitting c/w integral gear & lamp	AFRM400L	10.0	0.126 m ²
150W	Metal halide fitting c/w integral gear, timed ignitor & lamp	AFRH150TL	9.0	0.126 m ²
250W	Metal halide fitting c/w integral gear, timed ignitor & lamp	AFRH250TL	10.1	0.126 m ²
400W	Metal halide fitting c/w integral gear, timed ignitor & lamp	AFRH400TL	10.3	0.126 m ²

Note:

For dusk/dawn photocell place a 'P' at the end of the order code above. e.g. AFRS250TLP