



# Amigo

**A range of exterior IP65 amenity luminaires. Constructed from a black polycarbonate visor and base and a clear prismatic polycarbonate diffuser. Suitable for use around buildings to provide lighting to footpaths and general security.**

- IP65 black visor to reduce light pollution
- Polycarbonate vandal resistant prism lens
- Various lamp options available
- Wall mounting (or pole mounting options)
- Easy access to control gear and lamp
- Photocell control available
- LED options available

### Ordering Information

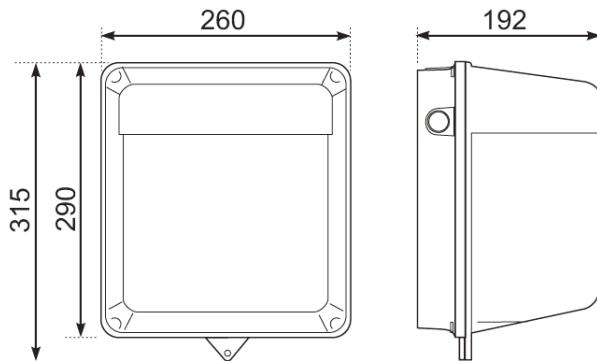
(Luminaires supplied c/w lamps)

	Code	Weight (kg)	Total Waits	Total Lumens	Luminaire Efficacy	Lamp Efficacy	Emergency Lumens
70W SON-E	WLAS70IL	3.42	83	5600	52	67	n/a
70W SON-E	WLAS70TL	3.60	83	5600	52	67	n/a
80W MBF-U	WLAM80L	3.14	89	3800	33	42	n/a
70W HQI-E	WLAH70TLO	3.60	89	5200	45	58	n/a
26W TC-DE	WLA26HFL	2.22	28	1800	50	64	n/a
26W TC-DE	WLA26HFLEM	3.22	28	1800	50	64	270
32W TC-TE	WLA32HFL	2.22	35	2400	53	68	n/a
42W TC-TE	WLA42HFL	2.22	46	3200	54	69	n/a
17W LED	WLA17LED40	2.15	18	1629	90	n/a	310
27W LED	WLA27LED40	2.15	31.7	2870	90	n/a	310

### Options & Accessories

An integral photocell option is available by specifying with a 'P' to end of code	e.g. WLAH70TLOP
A galvanised steel bracket for securing a single Amigo fitting to a 76mm dia. pole	- CMASM
A galvanised steel bracket for securing two Amigo fittings (back to back) to a 76mm dia. pole	- CMATM

### Dimensions



### Classification for Protection

Against electric shock Class 11 protected with earthed gear tray & reflector. Against ingress of dust and moisture IP65 Technical Specification.

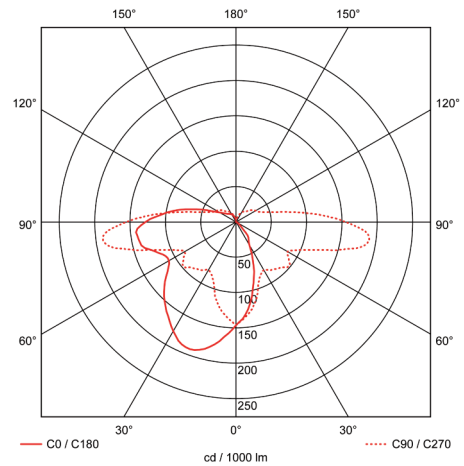
### Standards

The Amigo range of luminaires is designed and manufactured to meet the requirements of BSEN 60598 2-1.

### Operation

Designed for operation in an exterior environment. Ambient temperature range:  
 -30°C to +25°C for SON versions  
 -20°C to +25°C for Metal Halide versions  
 -15°C to +25°C for Compact Fluorescent versions  
 0°C to +25°C for emergency and LED versions.  
 230V 50Hz nominal input voltage.

### Photometrics



Product Code: WLAS70TL  
 Lamp: 1 x 70W SON-E  
 Light Output Ratios: Up: 0.20 Down: 0.58 Total: 0.78  
 CIE Flux Code: 27 / 47 / 69 / 74 / 78

### SPECIFICATION

To specify state the following:  
 A range of amenity luminaires. Constructed from a black polycarbonate visor and base and a clear prismatic polycarbonate diffuser. Various lamp and LED options are available.  
 - as Hilclare Amigo.



### HILCLARE LIGHTING MANUFACTURER

Unit 1, Bond Street Industrial Estate, Mancunian Way, Manchester M12 6HW  
 T: 0161 274 3626 F: 0161 274 3731 E: sales@hilclare.com W: www.hilclare.com

